

PRODUCT NUMBER
76347-YXXLF

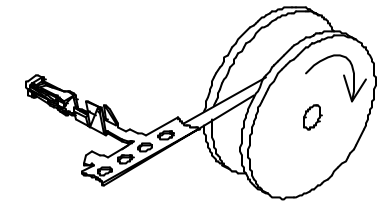
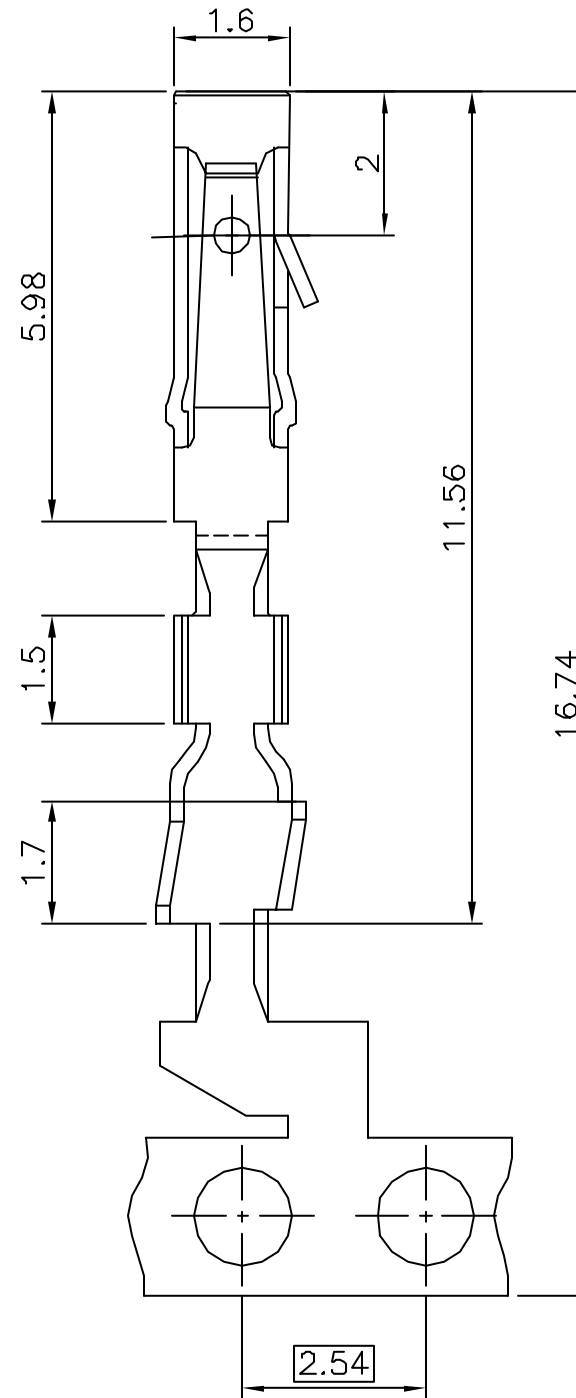
WHEN NEEDED, SUFFIX LETTER "LF"
INDICATES THE PRODUCT IS RoHS
COMPATIBLE, SEE NOTE 3

DEPENDS ON:
INSULATION BARREL,
WIRE BARREL AWG RANGE,
REELING METHOD,
NUMBER OF PRODUCT.
SEE TABLE SHEET 2/2.

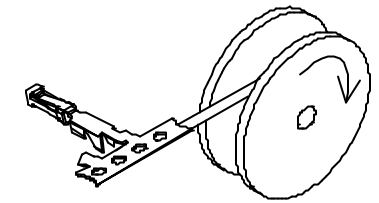
PLATING CODE

3= 0.76µm GOLD ON CONTACT AREA.
3.81µm TIN-LEAD ON TAIL.
4= 5µm TIN-LEAD ON CONTACT AREA.
3.81µm TIN-LEAD ON TAIL.

WHEN SUFFIX "LF" IS REQUIRED, 2µm MIN MATTE
TIN OVER 1.27 MIN Ni IS SUPPLIED INSTEAD OF SnPb.



REELING METHOD P



REELING METHOD R

NOTES:

- 1 - TERMINAL MATERIAL: PHOSPHOR BRONZE.
- 2 - PRODUCT PACKED IN REEL.
- 3 - RoHS COMPATIBLE PRODUCT SPECIFICATIONS

a - PLATING:

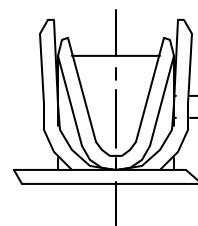
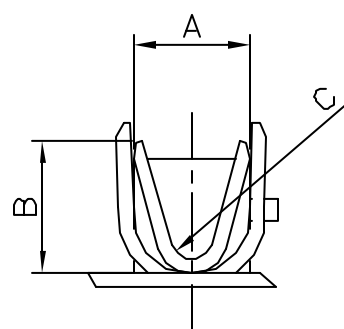
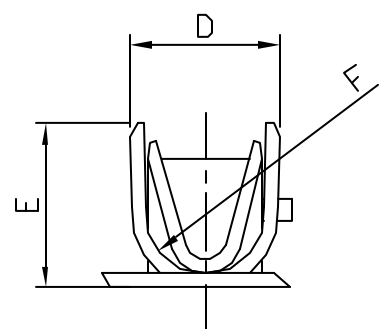
- "LF" MEANS THE PRODUCT IS LEAD-FREE,
2µm MINIMUM MATTE TIN OVER 1.27µm
MINIMUM NICKEL UNDERPLATE.

b - LABELING:

- MEETS PACKAGING SPECS AS PER GS-14-920

c - LEGAL STATEMENT: SEE GS-22-008

THE PRODUCT IS NOT INTENDED TO BE EXPOSED TO A



mat'l. code				surface ISO 1302 ✓	tolerance ISO 406 ISO 1101	projection mm	product family DUBOX	
ltr	ecn no	dr	date	tolerances unless otherwise specified		scale 10:1	title CtW CONTACT ON REEL	
S	F06-0237	DLE	06.07.103	angles	±0.13			
L	F04-0145	DLE	04.02.25	linear				
M	F04-0360	DLE	04.10.11	dr	G CORBOZ	00.12.22	dwg no	
N	F04-0373	DLE	04.11.19	enr	P NIZZI	00.12.22	sheet 1 of 2	
P	F05-0286	DLE	05.11.07	chr			size A3	
R	F06-0215	DLE	06.06.30	appd	P N	00.12.22	type CUSTOMER Drawing	
sheet index	revision	S	D					
	sheet	1	2					



Copyright FCI

1 | 2 | 3 | 4 | 5 | 6

A | A

PRODUCT NUMBER	WIRE BARREL			INSULATION BARREL			REELING		APPLICATION DATA		
	AWG SIZE	A	B	C	INSULATION DIA RANGE	D	E	F		METHOD	PRODUCTS
76347-X01(LF)	22-30	1.6	1.6	0.3	0.9-1.5	2.1	2.6	0.8	P	15 000	TA 317
76347-X02(LF)	22-30	1.6	1.6	0.3	0.9-1.5	2.1	2.6	0.8	R	15 000	TA 317
76347-X03(LF)	22-30	1.6	1.6	0.3	0.9-1.5	2.1	2.6	0.8	R	500	TA 317
76347-X11(LF)	20-22	2.1	2.0	0.6	1.1-1.6	2.4	2.2	0.8	P	15 000	TA 317
76347-X12(LF)	20-22	2.1	2.0	0.6	1.1-1.6	2.4	2.2	0.8	R	15 000	TA 317
76347-X41(LF)	28-32	1.7	1.0	0.3	0.55-0.8	1.3	1.3	0.3	P	15 000	TA 340
76347-X42(LF)	28-32	1.7	1.0	0.3	0.55-0.8	1.3	1.3	0.3	R	15 000	TA 340

B | B



C | C

mat'l. code				surface <input checked="" type="checkbox"/> ISO 1302 <input type="checkbox"/> ISO 406 <input type="checkbox"/> ISO 1101		tolerance		projection		product family DUBOX	
ltr				ecn no		dr		date		title	
A				F10103		GCO		00.12.22		CtW CONTACT ON REEL	
B				F10527		GSA		01.09.20		mm	
C				F04-0373		DLE		04.11.19		scale 2.5:1	
D				F06-0215		DLE		06.06.30		FCI	
sheet index				revision sheet		dr		G CORBOZ 00.12.22		dwg no 76347 sheet 2 of 2 size A3	
						enr		P NIZZI 00.12.22		type CUSTOMER Drawing	
						chr					
						appd		P N 00.12.22			

D | D

form A3 | 1 | 2 | 3 | 4 | 5 | 6